

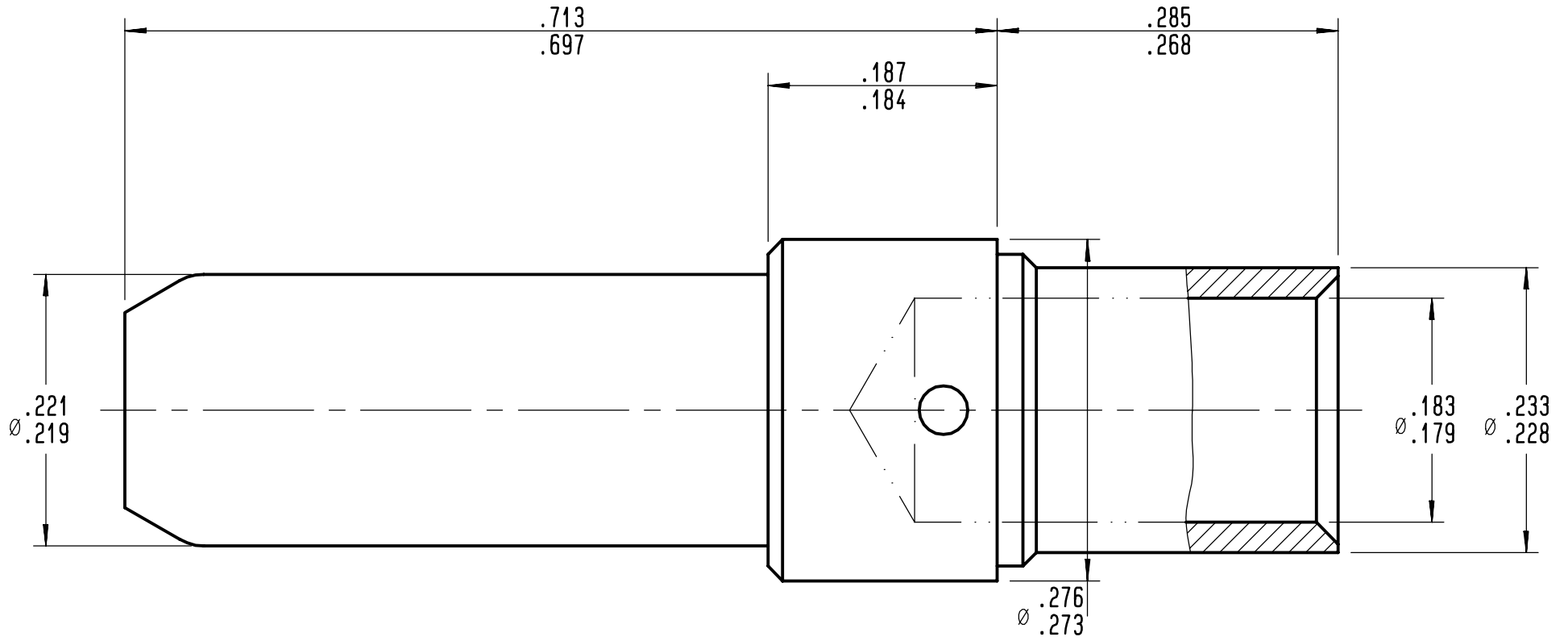


Series  
DSX

POWER PIN CONTACT FOR SIZE 5 CAVITY  
AWG 8 AND 10 CABLES  
/

Issue:  
7 JULY 97

Page  
1 / 1



MATERIAL AND FINISH:  
COPPER ALLOY\_GOLD (.00005) OVER NICKEL PLATED

STRIP LENGTH: .315

TOOLING  
CRIMPING TOOL: DANIELS M300BT  
SELECTOR SET 8 FOR AWG 8 CABLE  
SELECTOR SET 5 FOR AWG 10 CABLE  
POSITIONER: 282557

EXTRACTION TOOL: M81969/28\_01

This information is given as an indication. In the continual goal to improve our products, we reserve the right to make any modifications judged necessary.

4112-9610

CREATION				
PEN: /				
NOM: JP MACARI				
DATE: 21 NOV 88	7 JULY 97	ADD.SELECTOR SET 5 FOR AWG 10 CABLE	B.GOMBERT	
APPR.: B.DECOSTA	18/01/95	REDRAWN BY CAD	JP MACARI	B.DECOSTA
	Issue	Revisions	Name	Approved